

SEE PBS-400 FOR SIP
FASTENING TO ASSEMBLY

WASHER PER
CODE

SPF #2 OR BETTER
2X BOTTOM PLATE

10d OR 0.131 NAILS
12" O.C., U.N.O. IN SHEAR
WALL SCHEDULE

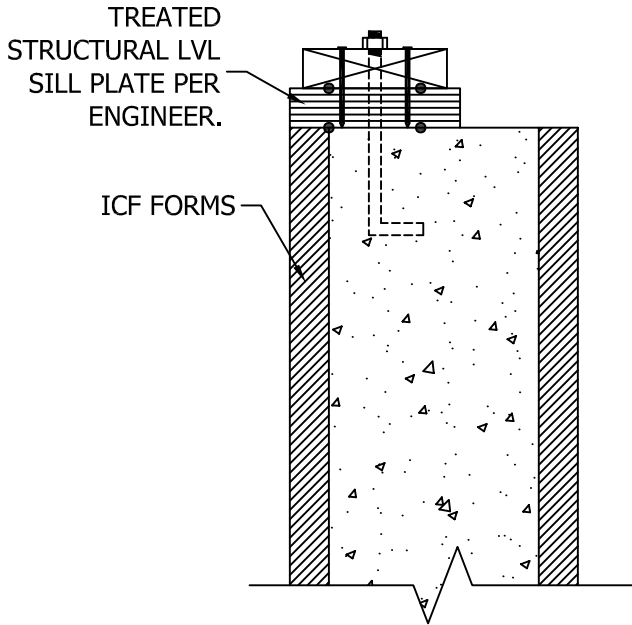
3/8" ϕ SEALANT
PER PBS-103

TREATED 2X SILL PLATE CUT TO
SAME WIDTH AS SIP

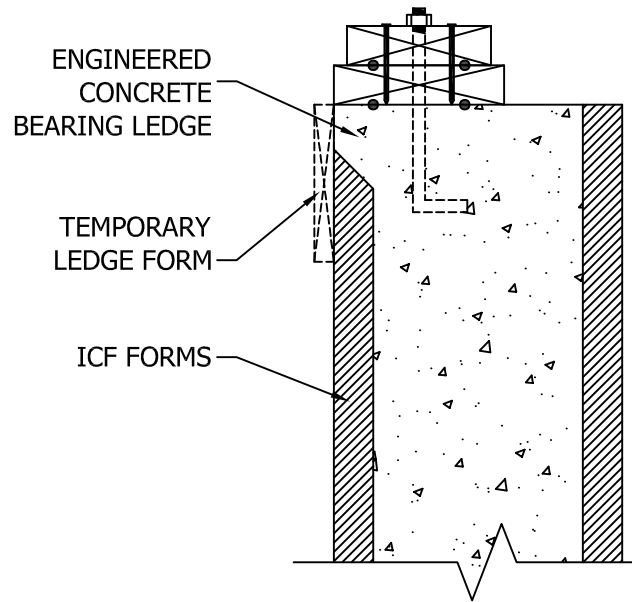
BEARING REQUIRED BELOW
ENTIRE WIDTH OF TREATED 2X
SILL PLATE. OPTIONS LISTED
BELOW.

J-BOLT OR EPOXY BOLT AS
REQUIRED BY CODE U.N.O.
IN SHEAR WALL SCHEDULE.

A: CANTILEVERED STRUCTURAL SILL PLATE



B: ICF BEARING LEDGE



N.T.S.

Rev: 9/19/2022

PBS-302

CANTILEVERED SILL PLATE
FOUNDATION CONNECTION

